

# ENS210

## Relative Humidity and Temperature Sensor with I<sup>2</sup>C Interface

### General Description

The ENS210 integrates one relative humidity sensor and one high-accuracy temperature sensor. The device is encapsulated in a QFN4 package and includes an I<sup>2</sup>C slave interface for communication with a master processor.

*Ordering Information and Content Guide appear at end of datasheet.*

### Key Benefits and Features

The benefits and features of ENS210, Relative Humidity and Temperature Sensor with I<sup>2</sup>C Interface are listed below:

**Figure 1:**  
Added Value of Using ENS210

| Benefits   | Features  |
|--|---|
| <ul style="list-style-type: none"> <li>Ultra-accurate</li> </ul>                       | <ul style="list-style-type: none"> <li>Temperature sensor (<math>\pm 0.2^{\circ}\text{C}</math>)</li> <li>Relative humidity sensor (<math>\pm 3.5\% \text{RH}</math>)</li> </ul>  |
| <ul style="list-style-type: none"> <li>Wide sensing range</li> </ul>                   | <ul style="list-style-type: none"> <li>Temperature operating range (<math>-40^{\circ}\text{C}</math> to <math>100^{\circ}\text{C}</math>)</li> <li>Relative humidity operating range (0% to 100%)</li> </ul>  |
| <ul style="list-style-type: none"> <li>Wide operating voltage</li> </ul>               | <ul style="list-style-type: none"> <li>1.71V to 3.60V</li> </ul>  |
| <ul style="list-style-type: none"> <li>Small foot-print</li> </ul>                     | <ul style="list-style-type: none"> <li>2.0mm x 2.0mm x 0.75mm</li> </ul>  |
| <ul style="list-style-type: none"> <li>Industry standard two-wire interface</li> </ul> | <ul style="list-style-type: none"> <li>Standard (100kbit/s) and fast (400kbit/s) I<sup>2</sup>C</li> </ul>  |
| <ul style="list-style-type: none"> <li>Low power</li> </ul>                            | <ul style="list-style-type: none"> <li>Automatic low-power standby when not measuring               <ul style="list-style-type: none"> <li>Active current: <math>7.1\mu\text{A}</math> @ 1Hz (1.8V)</li> <li>Standby current: 40nA</li> </ul> </li> </ul> |
| <ul style="list-style-type: none"> <li>Cost effective</li> </ul>                       | <ul style="list-style-type: none"> <li>Digital pre-calibrated relative humidity and temperature sensor</li> <li>Output directly in %RH and Kelvin</li> <li>Wide supply voltage range</li> </ul>   |
| <ul style="list-style-type: none"> <li>High reliability</li> </ul>                     | <ul style="list-style-type: none"> <li>Long-term stability</li> </ul>   |

## Applications

The ENS210 applications include:

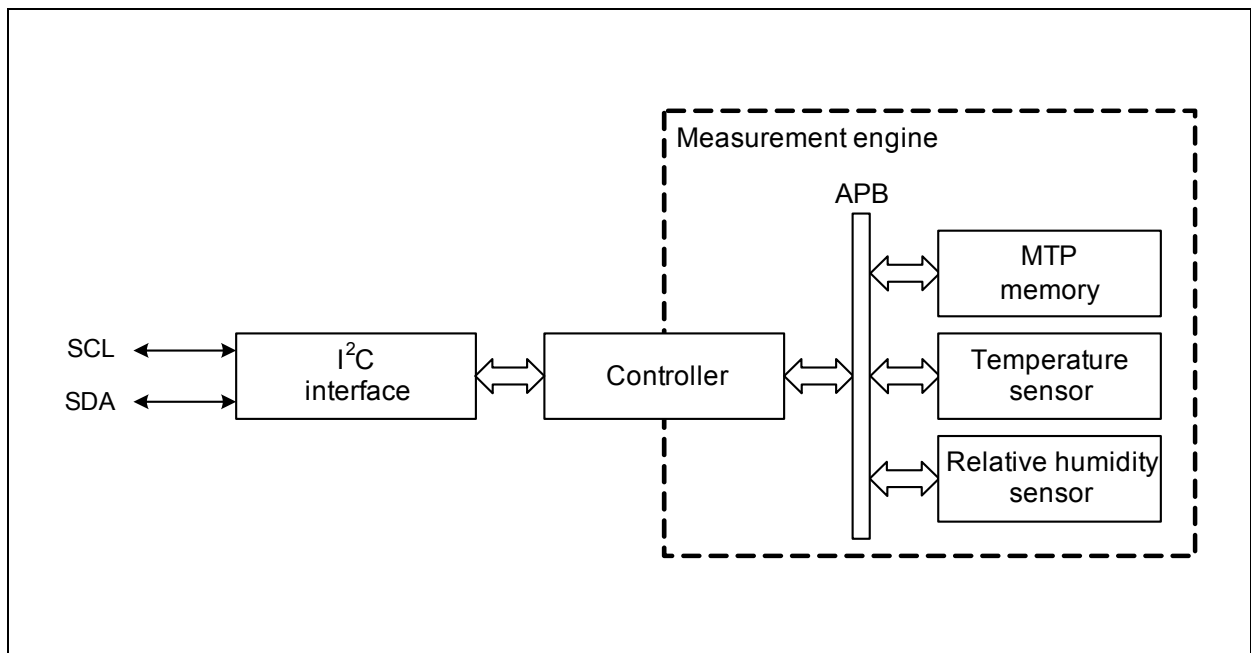
- Mobile phones, tablets and wearables
- Home and building climate control systems
- Transportation condition monitoring
- Wireless sensor nodes
- Personal health and wellness monitoring
- Laser printers
- Home appliance
- Industrial automation (e.g. server rooms)
- Baby incubators
- Weather stations

## Block Diagram

The internal block diagram of ENS210 is shown in [Figure 2](#). The I<sup>2</sup>C (communication) interface is connected to a controller which acts as the command interpreter and as bus master of the internal Advanced Peripheral Bus (APB). The memory and sensors are slaves of the APB. The MTP memory is used to store the sensor calibration parameters and unique ID.

To reduce power consumption the controller only powers the measurement engine when needed.

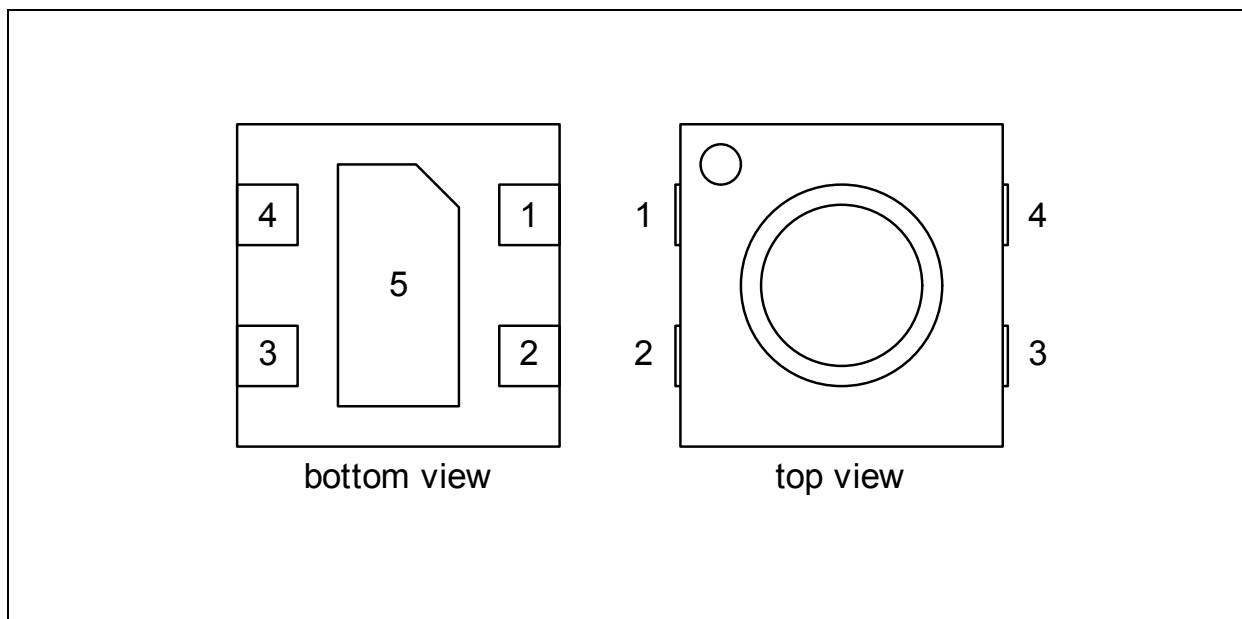
**Figure 2:**  
Functional Blocks of ENS210



## Pin Assignments

The ENS210 pin assignment is described in [Figure 3](#) and [Figure 4](#).

**Figure 3:**  
Pin Diagram of ENS210



**Figure 4:**  
Pin Description of ENS210

| Pin Number | Pin Name | Description   |
|------------|----------|---|
| 1          | $V_{DD}$ | Supply voltage  |
| 2          | SCL      | I <sup>2</sup> C bus serial clock input (SCL)             |
| 3          | SDA      | I <sup>2</sup> C bus serial bidirectional data line (SDA) |
| 4          | $V_{SS}$ | Ground supply voltage; must be connected                  |
| 5          | $V_{SS}$ | Ground supply voltage; must be connected                  |

## Absolute Maximum Ratings

Stresses beyond those listed under [Absolute Maximum Ratings](#) may cause permanent damage to the device. These are stress ratings only. Functional operation of the device at these or any other conditions beyond those indicated under [Electrical Characteristics](#) is not implied. Exposure to absolute maximum rating conditions for extended periods may affect device reliability.

**Figure 5:**  
Absolute Maximum Ratings of ENS210

| Symbol                                  | Parameter                              | Min        | Max  | Units            | Comments   |
|---|--|------------|------|------------------|--|
| <b>Electrical Parameters</b>            |  |            |      |                  |  |
| $V_{DD}$                                | Supply voltage                         | -0.30      | 4.60 | V                |  |
| $I_{lu}$                                | Latch-up current                       |            | 100  | mA               | I/O; $-0.5V_{DD} < V_I < 1.5V_{DD}$ ;<br>$T_j < 125^\circ\text{C}$ |
| <b>Electrostatic Discharge</b>          |  |            |      |                  |  |
| $ESD_{HBM}$                             | Human body model;<br>all pins          | $\pm 2000$ |      | V                | JEDEC JS-001-2014  |
| $ESD_{CDM}$                             | Charged model device;<br>all pins      | $\pm 500$  |      | V                | JEDEC JS-002-2014  |
| <b>Operating and Storage Conditions</b> |  |            |      |                  |  |
| MSL                                     | Moisture sensitivity<br>level          | 1          |      |                  | Maximum floor life time is<br>unlimited                            |
| $T_{STRG}$                              | Storage temperature                    | 10         | 50   | $^\circ\text{C}$ |  |
| $RH_{NC}$                               | Relative humidity<br>(non-condensing)  | 20         | 60   | %RH              | Preferably in sealed ESD bag                                       |
| $T_A$                                   | Operating ambient<br>temperature       | -40        | 100  | $^\circ\text{C}$ |  |
| $H_A$                                   | Operating ambient<br>relative humidity | 0          | 100  | %RH              |  |

## Electrical Characteristics

All limits are guaranteed. The parameters with min and max values are guaranteed with production tests or SQC (Statistical Quality Control) methods.

**Figure 6:**  
Electrical Characteristics

| Symbol   | Parameter                | Conditions                                    | Min                 | Typ <sup>(1)</sup> | Max                 | Unit |
|----------|--------------------------|---|---------------------|--------------------|---------------------|------|
| $V_{DD}$ | Supply voltage           | Max ripple 100mV <sub>PP</sub> between 0-1MHz | 1.71                | 1.80 (3.30)        | 3.60                | V    |
| $I_{DD}$ | Supply current           | Standby state                                 |                     | 0.04 (0.3)         |                     | μA   |
|          |                          | Continuous run mode                           |                     | 58 (56)            |                     | μA   |
|          |                          | T and RH measurement at 1Hz                   |                     | 7.1 (6.9)          |                     | μA   |
| $V_{IH}$ | High-level input voltage |   | $0.7 \times V_{DD}$ |                    | $V_{DD} + 0.5$      | V    |
| $V_{IL}$ | Low-level input voltage  |   | -0.5                |                    | $0.3 \times V_{DD}$ | V    |
| $I_{OL}$ | Low-level output current | $V_{OL} = 0.4V$                               | 3                   |                    |                     | mA   |
|          |                          | $V_{OL} = 0.6V$                               | 6                   |                    |                     | mA   |

**Note(s):**

1. Values in parenthesis are for  $V_{DD} = 3.30$  V.
2.  $T_A = 25$  °C and at 1.80 V supply voltage, unless otherwise specified

## I<sup>2</sup>C Timing Characteristics

ENS210 is compliant to the I<sup>2</sup>C standard; it supports standard and fast mode as per I<sup>2</sup>C-bus specifications [UM10204, I<sup>2</sup>C-bus specification and user manual, Rev. 6, 4 April 2014].

## Temperature Sensor Characteristics

**Figure 7:**  
Temperature Sensor Characteristics

| Symbol             | Parameter                           | Conditions  | Min  | Typ   | Max | Unit      |
|--------------------|-------------------------------------|---|------|-------|-----|-----------|
| T <sub>range</sub> | Temperature range                   |   | -40  |       | 100 | °C        |
| T <sub>acc</sub>   | Temperature accuracy <sup>(3)</sup> | T <sub>A</sub> = 0°C to 70°C; 3σ  |      |       | 0.2 | °C        |
|                    |                                     | T <sub>A</sub> = -40°C to 100°C; 3σ                                       |      |       | 0.5 | °C        |
| T <sub>res</sub>   | Temperature resolution              |   |      | 0.016 |     | °C        |
| t <sub>resp</sub>  | Response time <sup>(2)</sup>        | T step of 10°C by submersion (in 0°C to 70°C range); τ63 % <sup>(1)</sup> |      | 1     |     | s         |
| T <sub>rep</sub>   | Temperature repeatability           | 3σ of consecutive measurement values at constant conditions               | -0.1 |       | 0.1 | °C        |
| ΔT                 | Temperature long term drift         |   |      | 0.005 |     | °C / year |

**Note(s):**

- 63% indicates that if a T step of 10°C, e.g. from 20°C to 30°C is made, it will take t<sub>resp</sub> seconds to reach 63% of that step.
- In an application the temperature response time depends on heat conductivity of the sensor PCB.
- Accuracy specifications are defined before soldering of the product in an application. Refer to ENS210 application note. Maximum accuracy specification refers to 3 standard deviations assuming normal distribution of accuracy errors. After industrial calibration of sensors, each sensor is tested on typical room conditions (e.g. 25°C 45%RH) and only sensors passing the verification qualify for customer deliveries.

## Relative Humidity Sensor Characteristics

**Figure 8:**  
Relative Humidity Sensor Characteristics

| Symbol             | Parameter  | Conditions   | Min | Typ       | Max | Unit       |
|--------------------|--|--|-----|-----------|-----|------------|
| $H_{\text{range}}$ | Relative humidity range                          |  | 0   |           | 100 | %RH        |
| $H_{\text{acc}}$   | Relative humidity accuracy <sup>(3)</sup>        | $T_A = 25^\circ\text{C}$ ; RH = 20%RH to 80%RH; excluding hysteresis; $3\sigma$                                |     |           | 3.5 | %RH        |
|                    |  | $T_A = 25^\circ\text{C}$ ; RH = 0%RH to 100%RH; excluding hysteresis; $3\sigma$                                |     |           | 5   | %RH        |
| $H_{\text{res}}$   | Relative humidity resolution                     |  |     | 0.03      |     | %RH        |
| $t_{\text{resp}}$  | Response time <sup>(4)</sup>                     | RH step of 20%RH (in 40%RH to 80%RH range); $\tau_{63\%}$ <sup>(1)</sup> ; 1m/s flow; $T_A = 25^\circ\text{C}$ |     | 3         | 5   | s          |
| $H_{\text{hys}}$   | Relative humidity hysteresis                     | $T_A = 25^\circ\text{C}$ ; RH = 20%RH to 90%RH; 30minutes exposure time  |     | $\pm 1$   |     | %RH        |
| $H_{\text{rep}}$   | Relative humidity repeatability                  | $3\sigma$ of consecutive measurement values at $T_A = 25^\circ\text{C}$ and RH = 40%RH                         |     | $\pm 0.1$ |     | %RH        |
| $\Delta H$         | Relative humidity long term drift <sup>(2)</sup> | $T_A = 25^\circ\text{C}$   |     | 0.25      |     | %RH / year |

**Note(s):**

- 63% indicates that if an RH step of 20%RH is made, e.g. from 40%RH to 60%RH, it will take  $t_{\text{resp}}$  seconds to reach 63% of that step.
- Values are linearized averages over the lifetime of the product. Due to non-linear behavior a larger drift is expected in the first years.
- Maximum accuracy specification refers to 3 standard deviations assuming normal distribution of accuracy errors. After industrial calibration of sensors, each sensor is tested on typical room conditions (e.g. 25°C and 45%RH) and only sensors passing the verification qualify for customer deliveries.
- Device only performance. Application response time will depend on the design-in of the sensor

## System Timing Characteristics

**Figure 9:**  
System Timing Characteristics

| Symbol        | Parameter                      | Conditions | Min | Typ | Max | Unit |
|---------------|--------------------------------|------------|-----|-----|-----|------|
| $t_{booting}$ | Booting time <sup>(1)</sup>    |            |     | 1   | 1.2 | ms   |
| $t_{conv}$    | Conversion time <sup>(2)</sup> | T only     |     | 105 | 110 | ms   |
|               |                                | T and RH   |     | 122 | 130 | ms   |

**Note(s):**

1. Time in transient state *booting* (see [Figure 10](#)).
2. Includes  $t_{booting}$

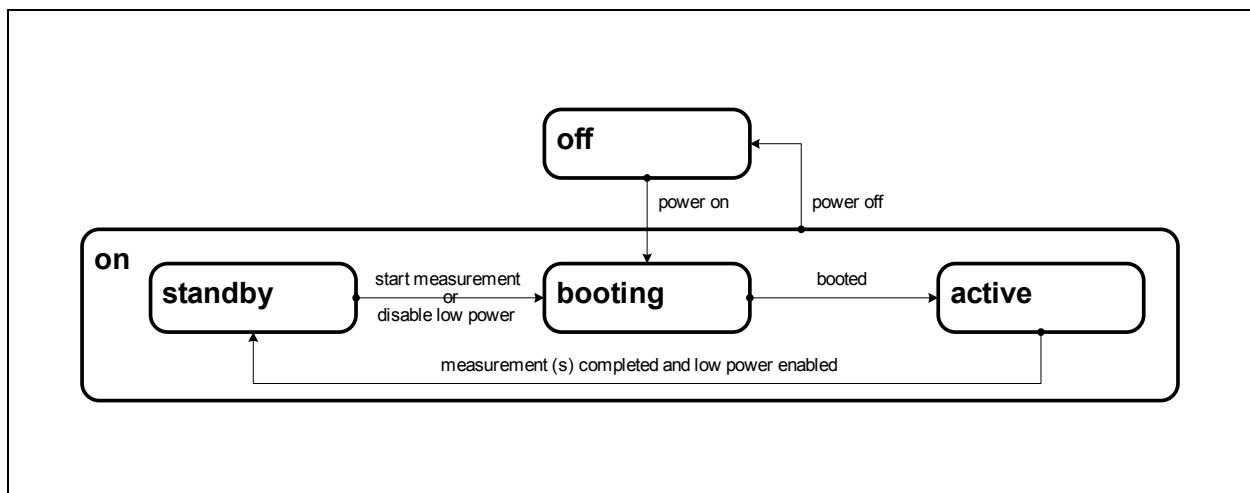


## Functional Description

The ENS210 integrates two sensor blocks: temperature and relative humidity.

The device is normally in the *standby* state (Figure 10): the measurement engine (see Figure 2) is unpowered, but the I<sup>2</sup>C interface is operational and register write/read operation can be performed. When a measurement command is given, the device is first *booting* to *active* then it starts a measurement. When the measurement is completed, the device returns to the *standby* state. Since the I<sup>2</sup>C interface is operational in *standby*, the measurement result can be read out.

Figure 10:  
The ENS210 Power States



In continuous run mode (see Register [SENS\\_RUN](#)) or when low power is disabled (see Register [SYS\\_CTRL](#)), the device remains in *active* state.

The system power status is observable (see Register [SENS\\_STAT](#)).

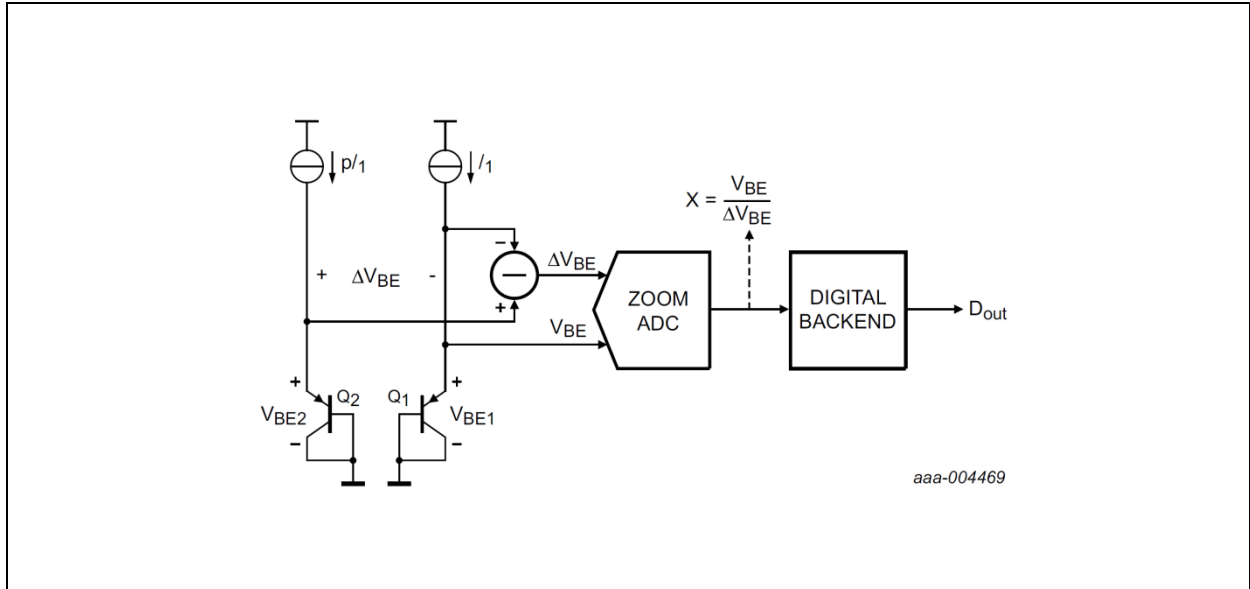
When powering up from *off*, the device is first *booting* to *active*, but then falls immediately back to *standby* (since no measurement is pending, and by default low power is enabled).

Note that the *booting* state is a transient state (the system automatically transitions to the next state – *active*); the booting time is given in [Figure 9](#).

### Temperature Sensor

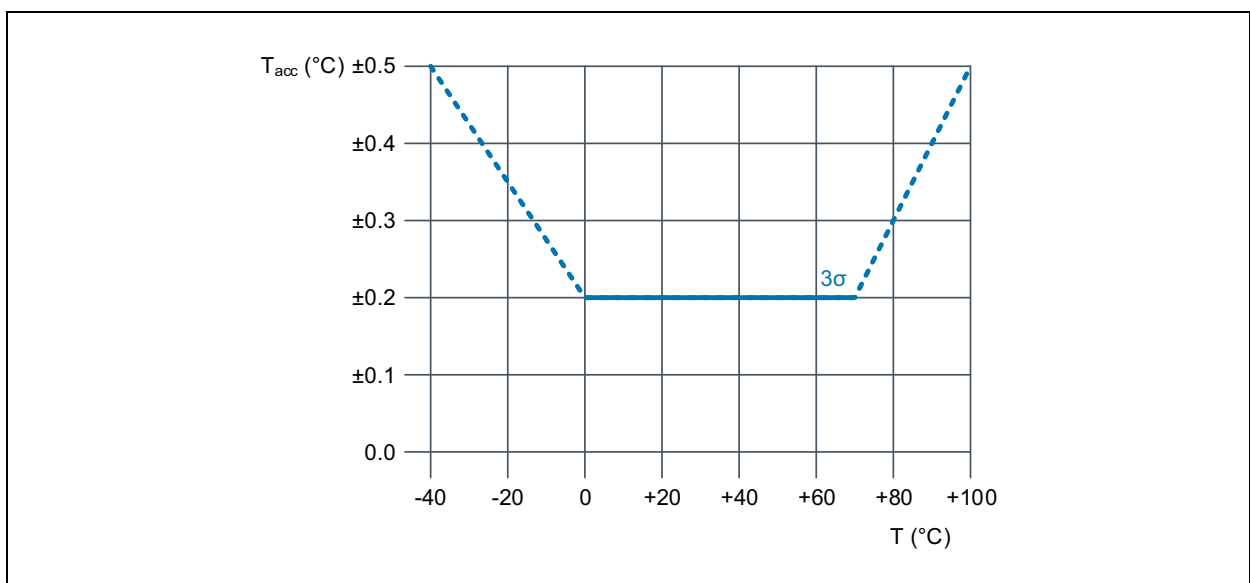
The temperature sensor block (Figure 11) determines the ambient temperature, and outputs a calibrated value in Kelvin.

**Figure 11:**  
Band Gap Temperature Measurement



The temperature is measured using a high-precision (12 bits) zoom-ADC. The analog part is able to measure a strongly temperature dependent  $X = V_{BE}/\Delta V_{BE}$ . The X is found by first applying a coarse search (successive approximation), and then a sigma-delta in a limited range. The accuracy of the sensor is shown in Figure 12. The conversion time is shown in Figure 9.

**Figure 12:**  
Absolute Accuracy of the Temperature Sensor



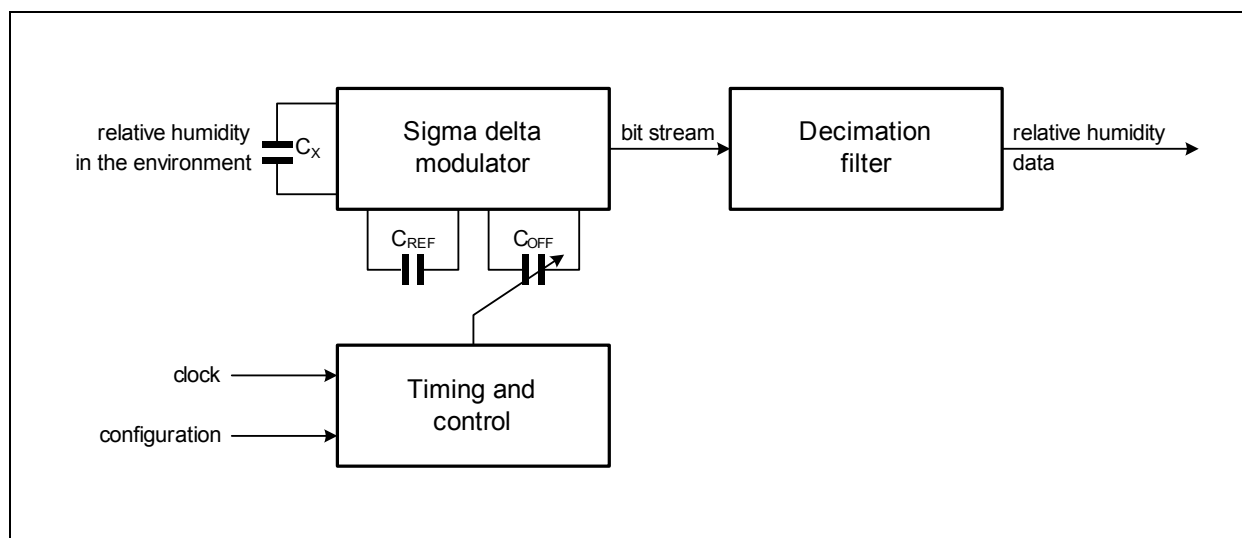
**Note(s):**

- 1. Dash line indicates natural physical behavior

### Relative Humidity Sensor

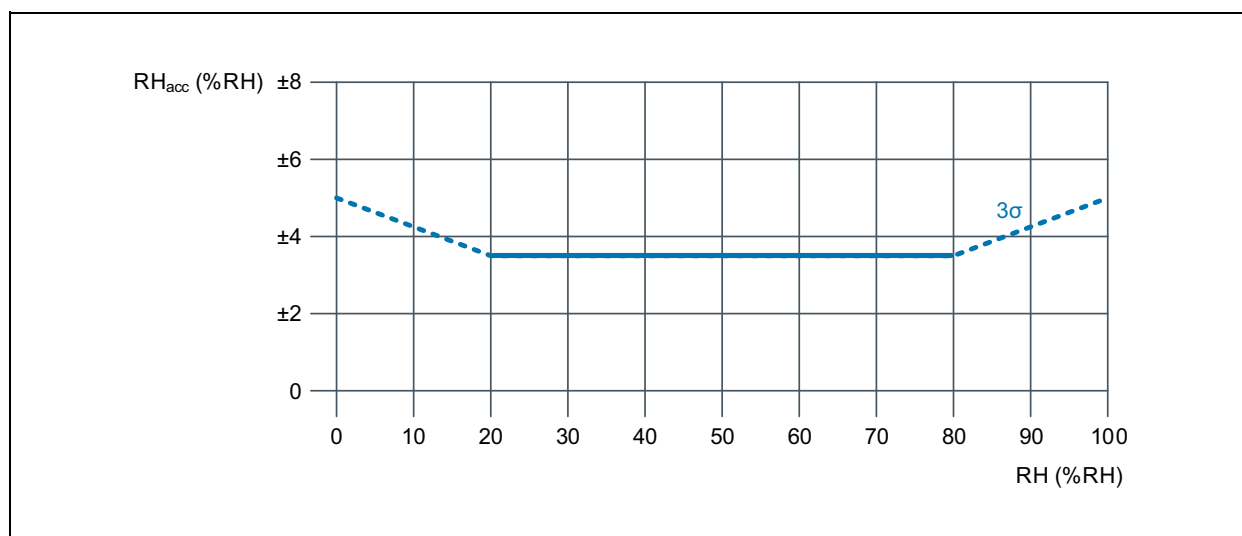
The relative humidity sensor as shown in Figure 13 determines the ambient relative humidity and outputs a calibrated value in %RH. The transducer (the  $C_x$  on the top left) consists of a large-area capacitor covered with a humidity-sensitive material. The capacitance change is proportional to the change in relative humidity, and has a linear dependence on temperature. The capacitance is measured by a high-precision 2<sup>nd</sup> order sigma-delta converter.

**Figure 13:**  
Relative Humidity Sensor



Reading the relative humidity sensor will output a temperature compensated value. The accuracy of the sensor is shown in Figure 14. The conversion time is shown in Figure 9.

**Figure 14:**  
Absolute Accuracy of the Relative Humidity Sensor at 25°C



**Note(s):**

1. Dash line indicates natural physical behavior

### The I<sup>2</sup>C Interface

The ENS210 is an I<sup>2</sup>C slave device. The I<sup>2</sup>C interface supports standard (100kbit/s) and fast (400kbit/s) mode.

Details on I<sup>2</sup>C protocol is according to *I<sup>2</sup>C-bus specifications [UM10204, I<sup>2</sup>C-bus specification and user manual, Rev. 6, 4 April 2014]*.

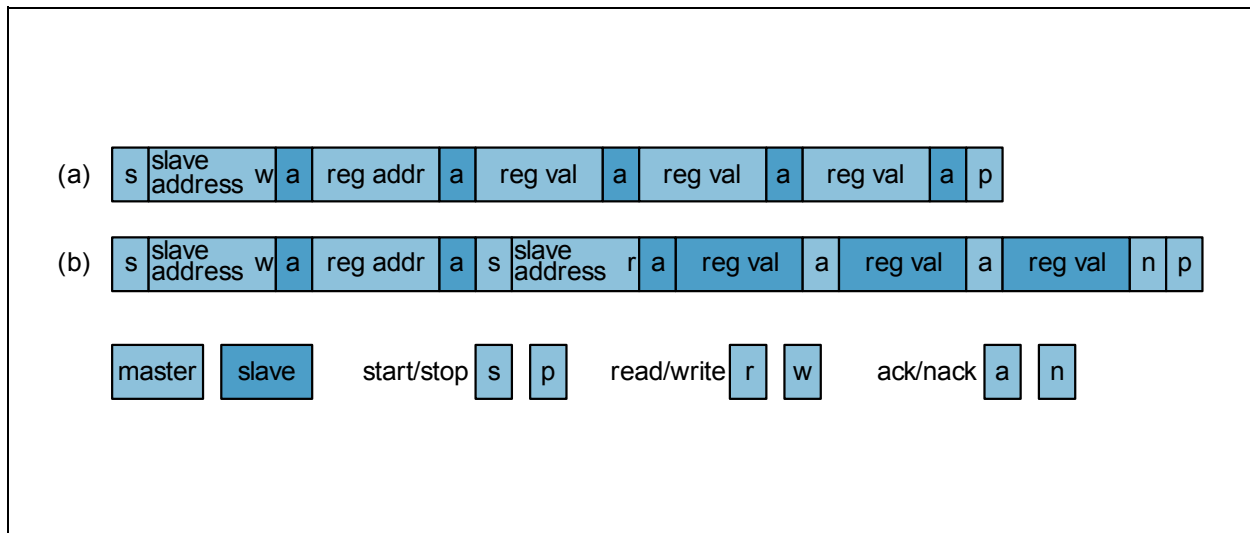
The device applies all mandatory I<sup>2</sup>C protocol features for slaves: START, STOP, Acknowledge, 7-bit slave address, and also the optional clock stretching. The latter means that the master must support clock stretching in order to successfully communicate with the ENS210.

None of the other optional features (10-bit slave address, General Call, Software reset, or Device ID) are supported, nor are the master features (Synchronization, Arbitration, START byte).

### I<sup>2</sup>C Operations on Registers

The ENS210 uses a register model to interact with it. This means that an I<sup>2</sup>C master can write a value to one of the registers of a slave, or that it can read from one of the registers of the slave. In the ENS210, registers are addressed using 1 byte. The values stored in a register are also 1 byte. However, the ENS210 implements “auto increment” which means that it is possible to read, for example, two bytes by supplying the address of the first byte and then reading two bytes.

Figure 15:  
I<sup>2</sup>C Transaction Formats



A typical *write* transaction (see Figure 15 a) therefore has the following format. The master initiates a transaction with a so-called start condition “s”. This blocks the bus. Next, the master sends the 7 bits ENS210 *slave address* followed by a 1 bit direction (a 0 indicating write “w”). This byte is acknowledged “a” by the slave. The master continues by sending the 8 bit *register address*, which is acknowledged by the slave. This

register address is stored in an internal CRA register (“Current Register Address”). Finally, the master sends the 8 bit *register value*, which is acknowledged by the slave (or nack’ed when the address is not writeable). This value is written to the register pointed to by the CRA, and the CRA is incremented by 1. Optionally, the master sends more 8 bit values, for the next registers (auto incrementing CRA), each of which is (n)ack’ed by the slave. Finally, the master generates a stop condition “p”, unblocking the bus for other transactions.

A *read* transaction (see [Figure 15 b](#)) starts with a write (of the register address), followed by a read. Consequently, it has the following format. The master initiates the transaction with a start condition. Next, the master sends the 7 bits ENS210 *slave address* followed by a 1 bit direction (a 0 indicating write). This byte is acknowledged by the slave. The master continues by sending the 8 bit *register address*, which is acknowledged by the slave and stored in the CRA register. Then the master sends another start condition (a so-called repeated start condition, keeping the bus blocked) followed by the 7 bits ENS210 *slave address* followed by a 1 bit direction (a 1 indicating read “r”), which is acknowledged by the slave. Next, the slave sends an 8 bits *register value* from the register pointed to by the CRA register, and the CRA is incremented by 1. This byte is acknowledged by the master. The master may read another 8 bits (auto increment feature) from the slave and acknowledge that, until the master sends a nack “n” followed by a stop to unblock the bus.

The ENS210 has an 8 bit address space, potentially addressing 256 registers. In reality, only few addresses are actually backed by a register (see [Register Overview](#)). All other addresses are *reserved*. A write transaction to a reserved (or read-only) register causes a not-acknowledge. A read transaction for a reserved register will return a 0.

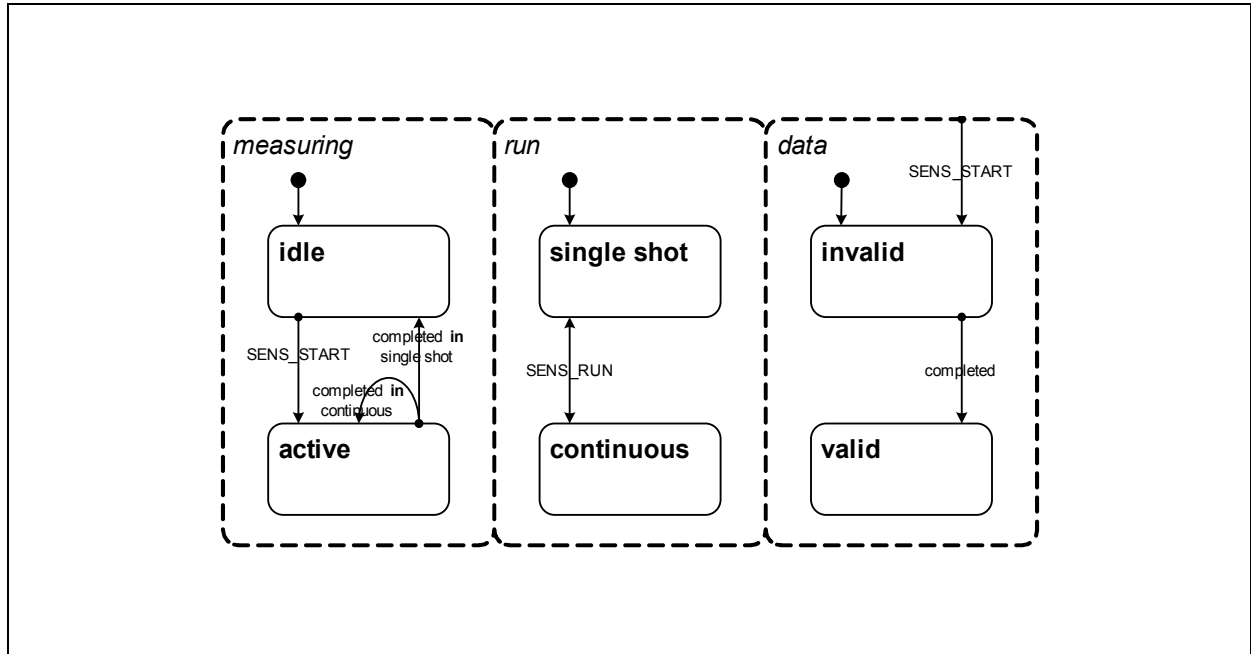
## The I<sup>2</sup>C Slave Address

The ENS210 is an I<sup>2</sup>C slave device with a fixed slave address of 0x43. This means that the first byte after a start condition is 1000 011x, where x indicates the data direction, so 0x86 (1000 0110) for write and 0x87 (1000 0111) for read.

### Sensor Control

The ENS210 contains a temperature and a relative humidity sensor. Both sensors have two run modes: single shot run mode and continuous run mode (enabled via SENS\_RUN), see Figure 16.

Figure 16:  
The Sensor Modes



When in the *single shot* run mode, starting a measurement is under control of the master. By default a sensor is idle; it can be started by writing a 1 to the corresponding bit in SENS\_START. After a start, the sensor stops when the measurement is completed. Whether a sensor is idle or active measuring can be detected by reading SENS\_STAT. The measured values can be obtained via their respective readout registers (T\_VAL and H\_VAL). Writing to SENS\_STOP in single shot has no effect.

When in the *continuous* run mode, the sensor performs measurement after measurement after a 1 is written to the corresponding bit in SENS\_START. The result of each measurement is stored in the aforementioned readout registers. Writing 1 to the corresponding bit in SENS\_STOP stops the repeat cycle after the ongoing measurement is completed.

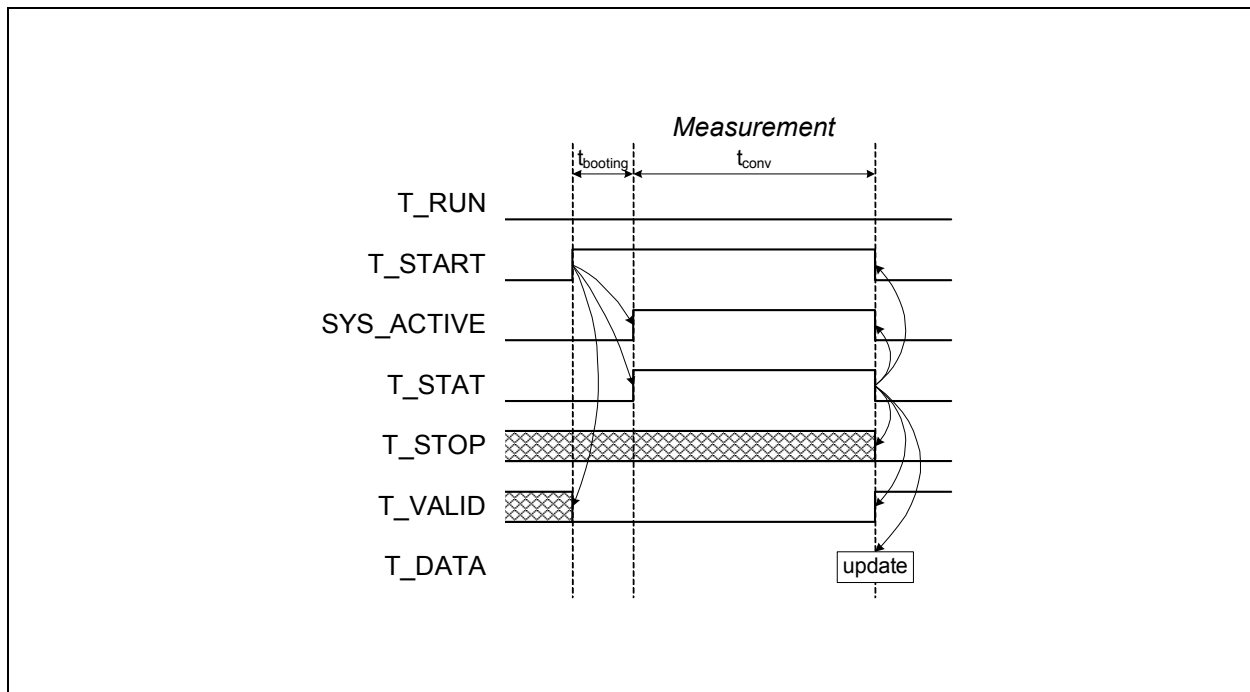
The device operates in a step-wise way. In each step, either one or both sensors are active. The step ends when the measurement(s) are completed. For the next step, the device inspects its register settings, and either one or both sensors are activated again, or there is no measurement request and the device goes into standby (unless low power is disabled by SYS\_CTRL).

This means that multiple writes to START during a step have no effect; the measurement is started once, and only a write to START after the measurement has completed starts the measurement again. Similarly, multiple writes to STOP have no effect; when the measurement completes (in continuous mode) the stop request is effectuated once. When START and STOP are both requested, the measurement is started, and when completed, stopped.

### Sensor Timing

There are differences between single shot measurements and continuous measurements. Figure 17 shows the timing of a single shot T measurement.

**Figure 17:**  
Single Shot Temperature Measurement



Signal T\_RUN is written low to select a single shot measurement. Note that T\_STOP is typically low (cleared by a previous measurement), but its state is ignored in a single shot measurement. T\_START is written high to start measuring: T\_VALID in T\_VAL is cleared and the device starts *booting to active*. Once active SYS\_ACTIVE goes high, and measurement starts (T\_STAT goes high).

When the measurement is completed (T\_STAT goes low) the data register (T\_DATA) becomes valid (T\_VALID goes high) and the device goes back to *standby* (SYS\_ACTIVE goes low). The T\_START and T\_STOP are cleared.

Figure 18:  
Continuous Temperature Measurement

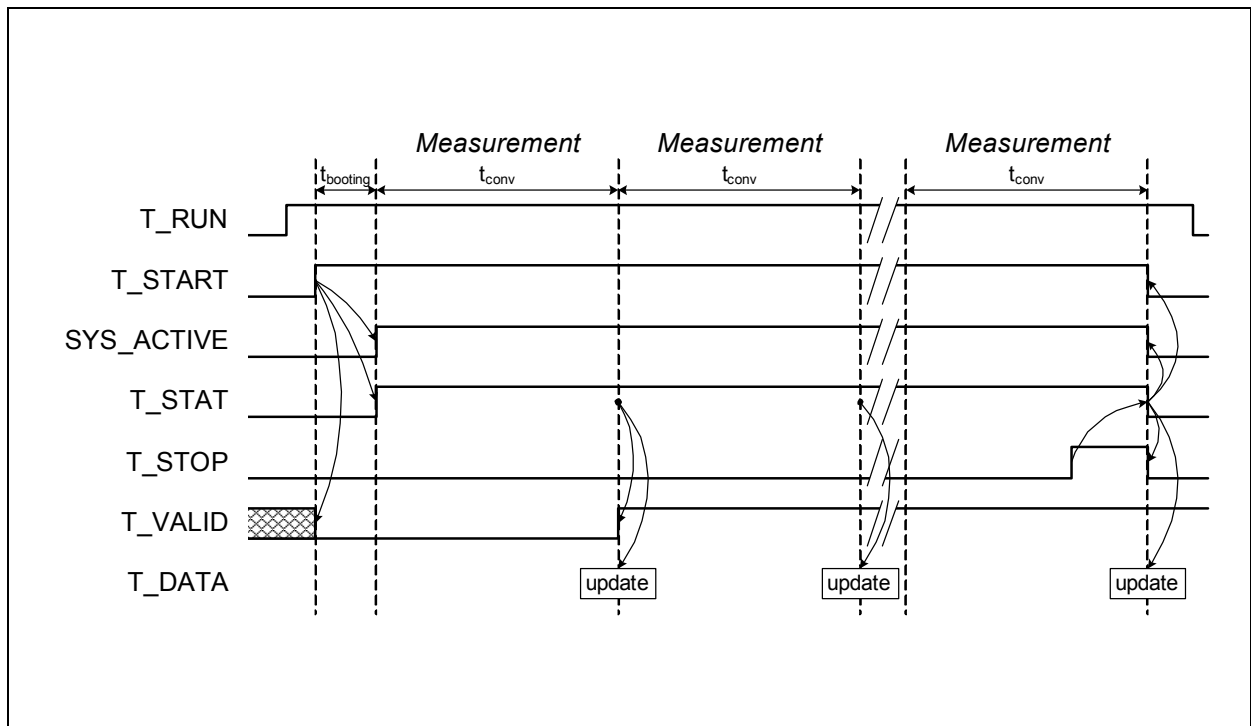


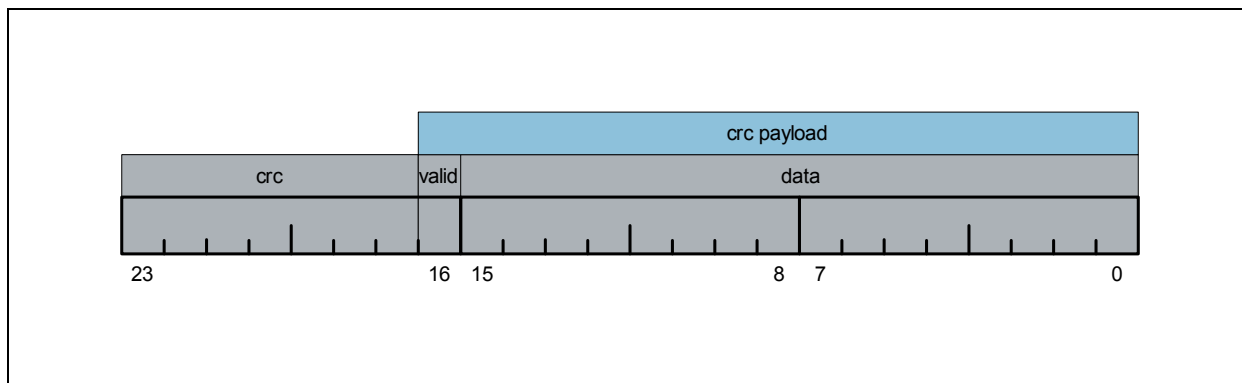
Figure 18 shows the timing of a continuous T measurement. Signal T\_RUN is written high to select a continuous measurement. Note that T\_STOP is typically low (cleared by a previous measurement), and it should stay low otherwise continuous mode will stop after one measurement. T\_START is written high to start measuring: T\_VALID in T\_VAL is cleared and the device starts *booting* to *active*. Once *active* SYS\_ACTIVE goes high, and measurement starts (T\_STAT goes high). When the first measurement is completed the data register (T\_DATA) becomes valid (T\_VALID goes high), and the device starts a new measurement. When the next measurement is completed the data register (T\_DATA) is updated; T\_VALID stays high. The device starts a new measurement. At some point in time, a stop command is given (T\_STOP is written high). As soon as the current measurement is completed, the data register (T\_DATA) is once more updated and the device goes back to *standby* (SYS\_ACTIVE goes low). The T\_START and T\_STOP are cleared. Note that writes to the SENS\_XXX registers only take effect when no measurement is ongoing. In other words, measurements are always sequential (so we can have three types: T only, RH only or T and RH and changes occur when the measurements are finished).



### The Sensor Readout Registers

The sensor readout registers (T\_VAL and H\_VAL) consist of three parts: the actual measured data, a valid flag and a checksum (see Figure 19). It is not mandatory to read the valid flag or the checksum when reading the data.

**Figure 19:**  
The Layout of the Sensor Readout Registers



The *checksum* is a cyclic redundancy check over the data and the valid flag; the stored checksum is the result of CRC-7 (polynomial  $x^7+x^3+1$ , see [https://en.wikipedia.org/wiki/Cyclic\\_redundancy\\_check](https://en.wikipedia.org/wiki/Cyclic_redundancy_check)) with  $0x7F$  as initial vector (i.e. with all bits flipped), see [Computing CRC-7 for sample C code](#).

The *valid* flag is cleared when a measurement is started (irrespective of the run mode). Once the measurement is completed the valid flag is set. In continuous mode, a new measurement is then started without clearing the valid flag; so data is always valid after the first measurement (but it might be several milliseconds old).

The *data* field is a 16 bits fixed point number, whose format and unit depends on the sensor (see [Register T\\_VAL](#) and [Register H\\_VAL](#)).

To ensure consistent view, these multi-byte readout registers are double buffered. When the first byte (i.e. the byte with the lowest register address) is read, the device copies all bytes from the measurement registers to the I<sup>2</sup>C registers, and then the value from the first I<sup>2</sup>C register is returned. Reads to the other bytes of the multi-byte register (i.e. with higher register addresses) are always directly from the I<sup>2</sup>C registers.

## Computing CRC-7

CRC algorithm uses a 7 bit polynomial (see lines 4, 5, and 6), and a 17 bit payload. The `crc7()` function below uses the following constants defining the CRC width, (the coefficients of the) polynomial and the initial vector (start value of the CRC), and some constants describing the payload data size.

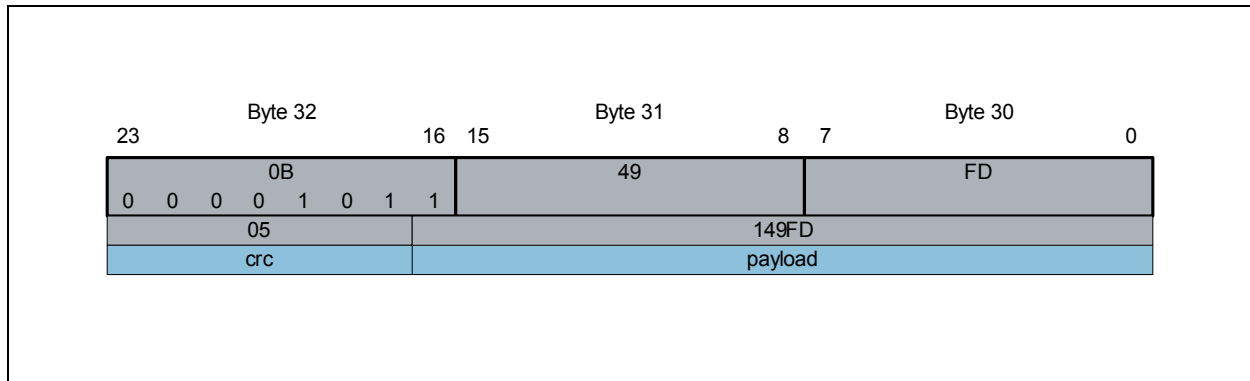
```
//          7654 3210
// Polynomial 0b 1000 1001 ~ x^7+x^3+x^0
//          0x   8   9
#define CRC7WIDTH 7 // 7 bits CRC has polynomial of 7th order (has 8 terms)
#define CRC7POLY 0x89 // The 8 coefficients of the polynomial
#define CRC7IVEC 0x7F // Initial vector has all 7 bits high
// Payload data
#define DATA7WIDTH 17
#define DATA7MASK ((1UL<<DATA7WIDTH)-1) // 0b 0 1111 1111 1111 1111
#define DATA7MSB (1UL<<(DATA7WIDTH-1)) // 0b 1 0000 0000 0000 0000
```

The `crc7(val)` function returns the CRC-7 of a 17 bits value *val*.

```
// Compute the CRC-7 of 'val' (should only have 17 bits)
uint32_t crc7( uint32_t val ) {
    // Setup polynomial
    uint32_t pol= CRC7POLY;
    // Align polynomial with data
    pol = pol << (DATA7WIDTH-CRC7WIDTH-1);
    // Loop variable (indicates which bit to test, start with highest)
    uint32_t bit = DATA7MSB;
    // Make room for CRC value
    val = val << CRC7WIDTH;
    bit = bit << CRC7WIDTH;
    pol = pol << CRC7WIDTH;
    // Insert initial vector
    val |= CRC7IVEC;
    // Apply division until all bits done
    while( bit & (DATA7MASK<<CRC7WIDTH) ) {
        if( bit & val ) val ^= pol;
        bit >>= 1;
        pol >>= 1;
    }
    return val;
}
```

Suppose that T\_VAL (address 30, 31 and 32) reads FD 49 0B, corresponding (little endian) with the number 0B49FD, see Figure 20. This leads to a CRC of 05 over a payload of 149FD. See the next paragraph for details on processing this data.

**Figure 20:**  
T\_VAL Readout



### Processing T\_VAL and H\_VAL

This paragraph shows a possible implementation of reading T and RH.

The following fragment starts a combined single shot measurement, waits and reads the measurement results. It assumes the availability of `i2c_reg_write` and `i2c_reg_read` primitives as well as a sleep routine (`rtk_tsk_sleep`). The format specifiers in the `printf`'s are kept simple (`%d` instead of `%ld` or even `PRId32` from `inttypes.h`); they need adaptation on e.g. 16 bits platforms.

```
// Record I2C transaction status
bool i2c_ok= true;
// Start T and H (write 03 to register 22 in device 86)
uint8_t wbuf[]={ 0x03 };
i2c_ok &= i2c_reg_write(0x86, 0x22, wbuf, sizeof wbuf);
// Wait for measurements to complete
rtk_tsk_sleep(150);
// Read T and H (read 6 bytes starting from 0x30 in device 86)
uint8_t rbuf[6];
i2c_ok &= i2c_reg_read(0x86, 0x30, rbuf, sizeof rbuf );
// Extract T_VAL and H_VAL (little endian), assumes 32 bits wordsize
uint32_t t_val= (rbuf[2]<<16) + (rbuf[1]<<8) + (rbuf[0]<<0);
uint32_t h_val= (rbuf[5]<<16) + (rbuf[4]<<8) + (rbuf[3]<<0);
```

The following fragment processes the T measurement as available in `t_val`. It relies on the `crc7()` function as shown previously.

```
// Extract (and print) the fields
uint32_t t_data = (t_val>>0) & 0xffff;
uint32_t t_valid= (t_val>>16) & 0x1;
uint32_t t_crc = (t_val>>17) & 0x7f;
printf( did, "ENS210: T: %06x %02x %01x %04x\n", t_val, t_crc, t_valid, t_data );
// Check the CRC
uint32_t t_payl = (t_val>>0) & 0x1ffff;
bool t_crc_ok= crc7(t_payl)==t_crc;
// Convert to float (and print)
float TinK = (float)t_data / 64; // Temperature in Kelvin
float TinC = TinK - 273.15; // Temperature in Celsius
float TinF = TinC * 1.8 + 32.0; // Temperature in Fahrenheit
printf( did, "ENS210: T: (i2c=%d crc=%d valid=%d) %5.1fK %4.1fC %4.1fF\n", i2c_ok, t_crc_ok, t_valid, TinK, TinC, TinF );
```

The following fragment processes the RH measurement as available in `h_val`. It is similar to the `t_val` processing.

```
// Extract (and print) the fields
uint32_t h_data = (h_val>>0) & 0xffff;
uint32_t h_valid= (h_val>>16) & 0x1;
uint32_t h_crc = (h_val>>17) & 0x7f;
printf( did, "ENS210: H: %06x %02x %01x %04x\n", h_val, h_crc, h_valid, h_data );
// Check the CRC
uint32_t h_payl = (h_val>>0) & 0x1ffff;
bool h_crc_ok= crc7(h_payl)==h_crc;
// Convert to float (and print)
float H = (float)h_data/512; // relative humidity (in %)
printf( did, "ENS210: H: (i2c=%d crc=%d valid=%d) %2.0f%%\n", i2c_ok, h_crc_ok, h_valid, H );
```

If registers 30 to 35 would contain `fd 49 0b 6c 2e f5` (i.e. `T_VAL` in blue and `H_VAL` in green) the code would print

```
ENS210: T: 0b49fd 05 1 49fd
ENS210: T: (i2c=1 crc=1 valid=1) 296.0K 22.8C 73.0F
ENS210: H: f52e6c 7a 1 2e6c
ENS210: H: (i2c=1 crc=1 valid=1) 23%
```

## Reading PART\_ID and UID

The first 2 registers (PART\_ID and UID) are only available in *active* state. There are two ways to read them:

- Dedicated read action
  - Disable low power (set LOW\_POWER to 0)
  - Wait for  $t_{booting}$  to get into *active* state (check SYS\_ACTIVE to be 1)
  - Read the ID register(s)
  - Re-enable low power (set LOW\_POWER to 1)
- Piggybacking on a measurement
  - Start a measurement (write 0b01, 0b10, or 011 to SENS\_START)
  - Wait for  $t_{booting}$  to get into *active* state (check SYS\_ACTIVE to be 1)
  - Read the ID register(s)
  - Ensure the device is still in *active* state (check SYS\_ACTIVE to be 1)

## Register Description

This section describes the I<sup>2</sup>C registers of the ENS210.

### Register Overview

Note that some registers are actually spread over multiple addresses. For example, T\_VAL at address 30 is spread over 3 addresses (its “Size” is 3). This could be rephrased as follows: there are three registers T\_VAL0, T\_VAL1, and T\_VAL2 at addresses 30, 31, and 32 respectively.

**Figure 21:**  
Register Overview

| Address | Name       | Size | Access             | Description                              |
|---------|------------|------|--------------------|--|
| 0x00    | PART_ID    | 2    | Read (active only) | Identifies the part as ENS210            |
| 0x02    | <unused>   | 2    | Read               |  |
| 0x04    | UID        | 8    | Read (active only) | Unique identifier                        |
| 0x0C    | <reserved> | 4    |                    |  |
| 0x10    | SYS_CTRL   | 1    | Read/Write         | System configuration                     |
| 0x11    | SYS_STAT   | 1    | Read               | System status                            |
| 0x12    | <reserved> | 14   |                    |  |
| 0x21    | SENS_RUN   | 1    | Read/Write         | The run mode (single shot or continuous) |
| 0x22    | SENS_START | 1    | Write              | Start measurement                        |
| 0x23    | SENS_STOP  | 1    | Write              | Stop continuous measurement              |
| 0x24    | SENS_STAT  | 1    | Read               | Sensor status (idle or measuring)        |
| 0x25    | <reserved> | 11   |                    |  |
| 0x30    | T_VAL      | 3    | Read               | Temperature readout                      |
| 0x33    | H_VAL      | 3    | Read               | Relative humidity readout                |
| 0x36    | <reserved> | 202  |                    |  |

## Detailed Register Description

### Register PART\_ID (Address 0x00)

This 2 byte register identifies the part number in little endian (ENS210). This register is only available in *active* state; see [Reading PART\\_ID and UID](#) for instructions of reading it.

Figure 22:  
Register PART\_ID

| Address 0x00 |            | PART_ID |        |                                     |
|--------------|------------|---------|--------|-------------------------------------|
| Bits         | Field Name | Default | Access | Field Description                   |
| 15:0         | PART_ID    | 0x0210  | Read   | Identifies this device as an ENS210 |

### Register UID (Address 0x04)

This 8 byte register uniquely identifies a single device among all ENS210 devices. This register is only available in *active* state; see [Reading PART\\_ID and UID](#) for instructions of reading it.

Figure 23:  
Register UID

| Address 0x04 |            | UID     |        |                   |
|--------------|------------|---------|--------|-------------------|
| Bits         | Field Name | Default | Access | Field Description |
| 63:0         | UID        | Varies  | Read   | Unique device id  |

### Register SYS\_CTRL (Address 0x10)

This 1 byte register controls the system.

Figure 24:  
Register SYS\_CTRL

| Address 0x10 |            | SYS_CTRL |            |   |
|--------------|------------|----------|------------|---|
| Bits         | Field Name | Default  | Access     | Field Description   |
| 7            | RESET      | 0        | Write      | Write 1 to reset the device   |
| 6:1          | <reserved> | 0b000000 | Read/Write | Keep to 0's   |
| 0            | LOW_POWER  | 0b1      | Read/Write | Controls the automatic low power.<br>0: Disabled (device stays in <i>active</i> )<br>1: Enabled (device goes to <i>standby</i> when measurement complete) |

**Register SYS\_STAT (Address 0x11)**

This 1 byte register indicates the system status.

**Figure 25:**  
Register SYS\_STAT

| Address 0x11 |            | SYS_STAT  |        |   |
|--------------|------------|-----------|--------|---|
| Bits         | Field Name | Default   | Access | Field Description   |
| 7:1          | <reserved> | 0b0000000 | Read   | Reads 0's   |
| 0            | SYS_ACTIVE | 0b1       | Read   | The system power state<br>0: System is in <i>standby</i> or <i>booting</i> state<br>1: System is in <i>active</i> state |

**Register SENS\_RUN (Address 0x21)**

This 1 byte register configures the run modes (single shot or continuous) of the sensors.

**Figure 26:**  
Register SENS\_RUN

| Address 0x21 |            | SENS_RUN  |            |   |
|--------------|------------|-----------|------------|---|
| Bits         | Field Name | Default   | Access     | Field Description   |
| 7:2          | <reserved> | 0b0000000 | Read/Write | Keep to 0's   |
| 1            | H_RUN      | 0b0       | Read/Write | The run mode of the relative humidity sensor<br>0: Relative humidity sensor operates in single shot mode<br>1: Relative humidity sensor operates in continuous mode |
| 0            | T_RUN      | 0b0       | Read/Write | The run mode of the temperature sensor<br>0: Temperature sensor operates in single shot mode<br>1: Temperature sensor operates in continuous mode                   |



**Register SENS\_START (Address 0x22)**

This 1 byte register starts a measurement for the sensors.

**Figure 27:**  
**Register SENS\_START**

| Address 0x22 |            | SENS_START |            |   |
|--------------|------------|------------|------------|---|
| Bits         | Field Name | Default    | Access     | Field Description   |
| 7:2          | <reserved> | 0b000000   | Read/Write | Keep to 0's   |
| 1            | H_START    | 0b0        | Read/Write | Write a 1 to start a relative humidity sensor measurement<br>Writing 0 has no effect (helps in multiple access) |
| 0            | T_START    | 0b0        | Read/Write | Write a 1 to start a temperature sensor measurement<br>Writing 0 has no effect (helps in multiple access)       |

**Register SENS\_STOP (Address 0x23)**

This 1 byte register stops a continuous measurement for the sensors.

**Figure 28:**  
**Register SENS\_STOP**

| Address 0x23 |            | SENS_STOP |        |   |
|--------------|------------|-----------|--------|---|
| Bits         | Field Name | Default   | Access | Field Description   |
| 7:2          | <reserved> | 0b000000  | Write  | Write 0's   |
| 1            | H_STOP     | 0b0       | Write  | Write a 1 to stop a continuous relative humidity sensor measurement<br>Writing 0 has no effect (helps in multiple access) |
| 0            | T_STOP     | 0b0       | Write  | Write a 1 to stop a continuous temperature sensor measurement<br>Writing 0 has no effect (helps in multiple access)       |

**Register SENS\_STAT (Address 0x24)**

This 1 byte register indicates the measuring status (idle or active) of the sensors.

**Figure 29:**  
Register SENS\_STAT

| Address 0x24 |            | SENS_STAT |        |  |
|--------------|------------|-----------|--------|--|
| Bits         | Field Name | Default   | Access | Field Description  |
| 7:2          | <reserved> | 0b000000  | Read   | Write 0's  |
| 1            | H_STAT     | 0b0       | Read   | Indicates the measuring status of the relative humidity sensor<br>0: Relative humidity sensor is idle (not measuring)<br>1: Relative humidity sensor is active measuring |
| 0            | T_STAT     | 0b0       | Read   | Indicates the measuring status of the temperature sensor<br>0: Temperature sensor is idle (not measuring)<br>1: Temperature sensor is active measuring                   |

**Register T\_VAL (Address 0x30)**

This 3 byte register contains the last measured temperature data. Furthermore it has a data valid flag and a CRC over the former two. Note that these bytes are double buffered; they are latched in by accessing the first byte, see [The Sensor Readout Registers](#) for details.

See Section [Processing T\\_VAL and H\\_VAL](#) for example code of processing this register.

**Figure 30:**  
Register T\_VAL

| Address 0x30 |            | T_VAL   |        |  |
|--------------|------------|---------|--------|--|
| Bits         | Field Name | Default | Access | Field Description  |
| 23:17        | T_CRC      | -       | Read   | CRC over T_DATA and T_VALID  |
| 16           | T_VALID    | -       | Read   | Data valid indication (1 means T_DATA is valid)  |
| 15:0         | T_DATA     | -       | Read   | Last measured temperature, stored as a little endian 16 bits unsigned value in 1/64 Kelvin |

**Register H\_VAL (Address 0x33)**

This 3 byte register contains the last measured relative humidity data. Furthermore it has a data valid flag and a CRC over the former two. Note that these bytes are double buffered; they are latched in by accessing the first byte, see [The Sensor Readout Registers](#) for details.

See [Processing T\\_VAL and H\\_VAL](#) for example code of processing this register.

**Figure 31:**  
**Register H\_VAL**

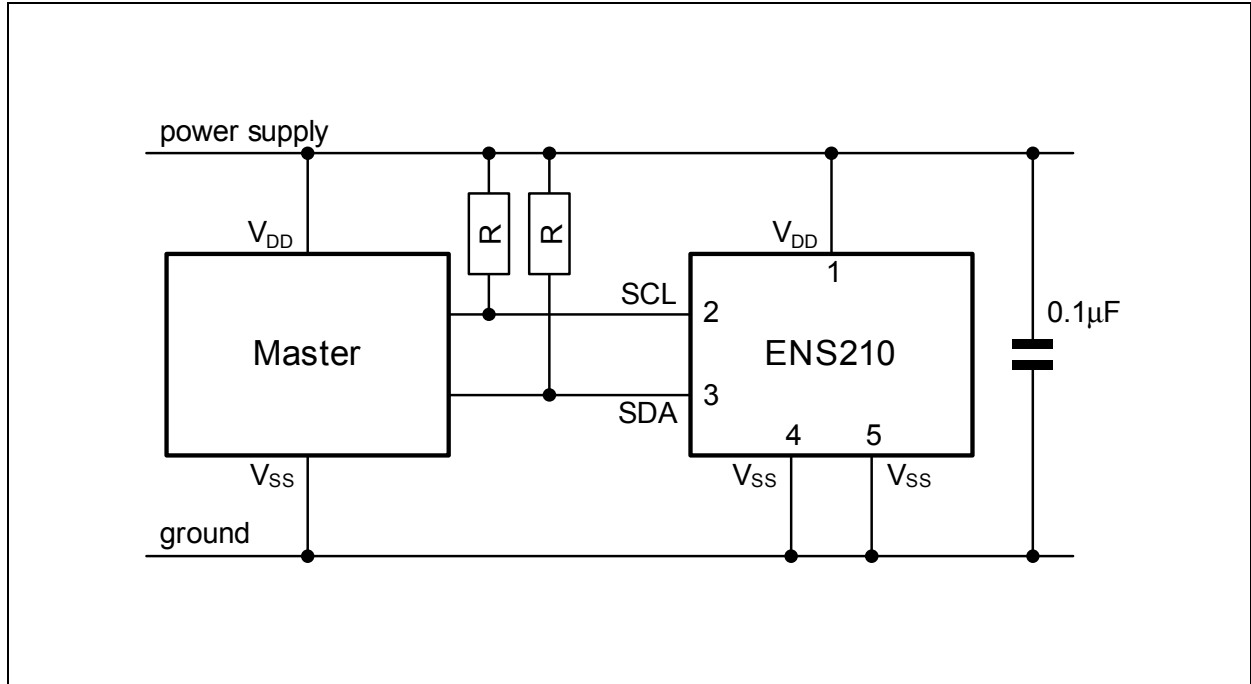
| Address 0x33 |            | H_VAL   |        |   |
|--------------|------------|---------|--------|---|
| Bits         | Field Name | Default | Access | Field Description   |
| 23:17        | H_CRC      | -       | Read   | CRC over H_DATA and H_VALID   |
| 16           | H_VALID    | -       | Read   | Data valid indication (1 means H_DATA is valid)   |
| 15:0         | H_DATA     | -       | Read   | Last measured relative humidity, stored as a little endian 16 bits unsigned value in 1/512%RH |

**Application Information**

**Typical Application**

Figure 32 shows a typical application.

**Figure 32:**  
ENS210 Typical Application



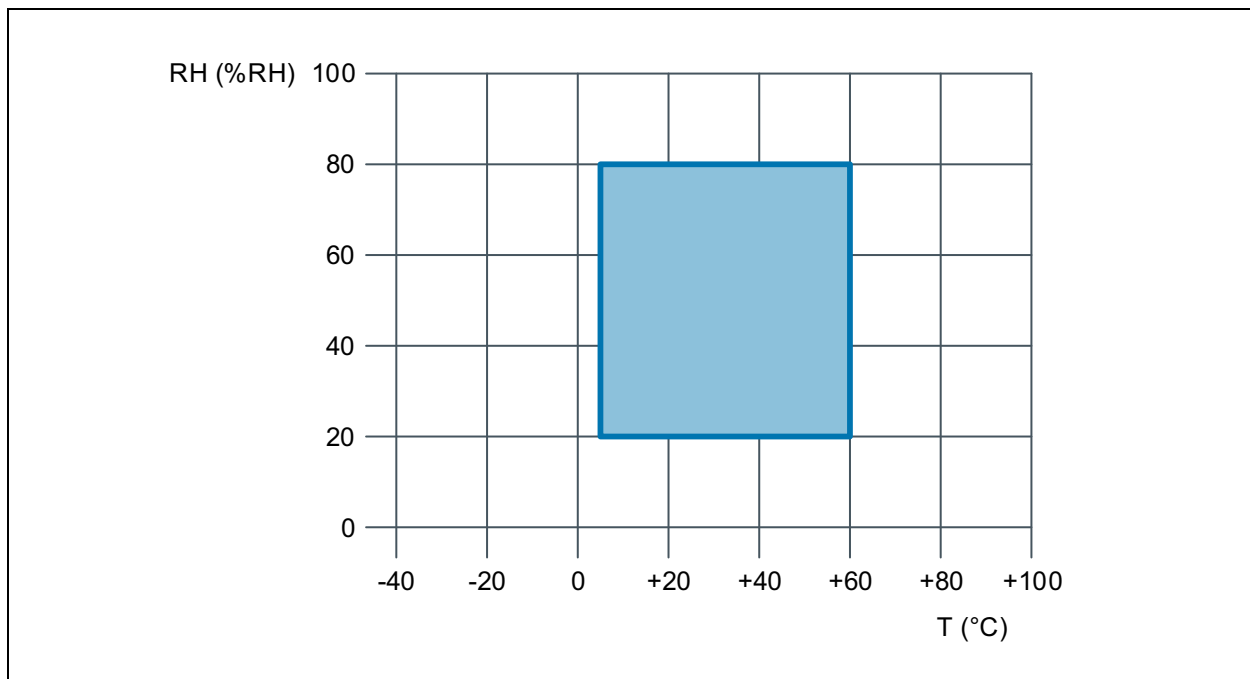
### Recommended Operating Conditions

The recommended temperature and relative humidity operating range for the ENS210 is 5°C to 60°C and 20%RH to 80%RH, see [Figure 33](#). Long term exposure outside these recommended operating conditions may temporarily offset the relative humidity readout.

After such exposure, the device will slowly return to its accuracy limits at 25°C (can be matter of hours or weeks, depending on stress conditions). Re-conditioning (bake + hydration) will accelerate kinetics of returning to its accuracy limits at 25°C.

Prolonged exposure to extreme conditions may accelerate drift, which might not be fully recoverable: e.g. after 96h at 85°C/85%RH offset can be around + 6%RH.

**Figure 33:**  
Recommended Operating Conditions

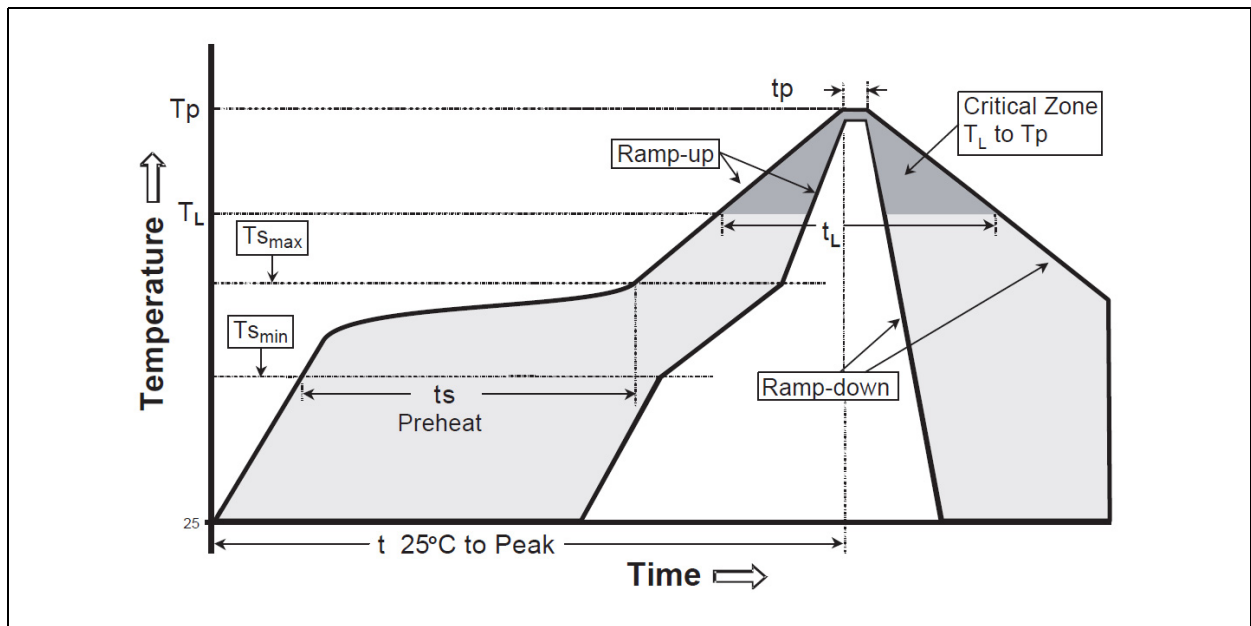


## Soldering & Storage Information

### Soldering

The ENS210 uses a cavity package. This package can be soldered using a standard reflow process in accordance with IPC/JEDEC J-STD-020D. See picture below.

Figure 34:  
Soldering Recommendations



The detailed settings for the reflow profile can be derived from the table below.

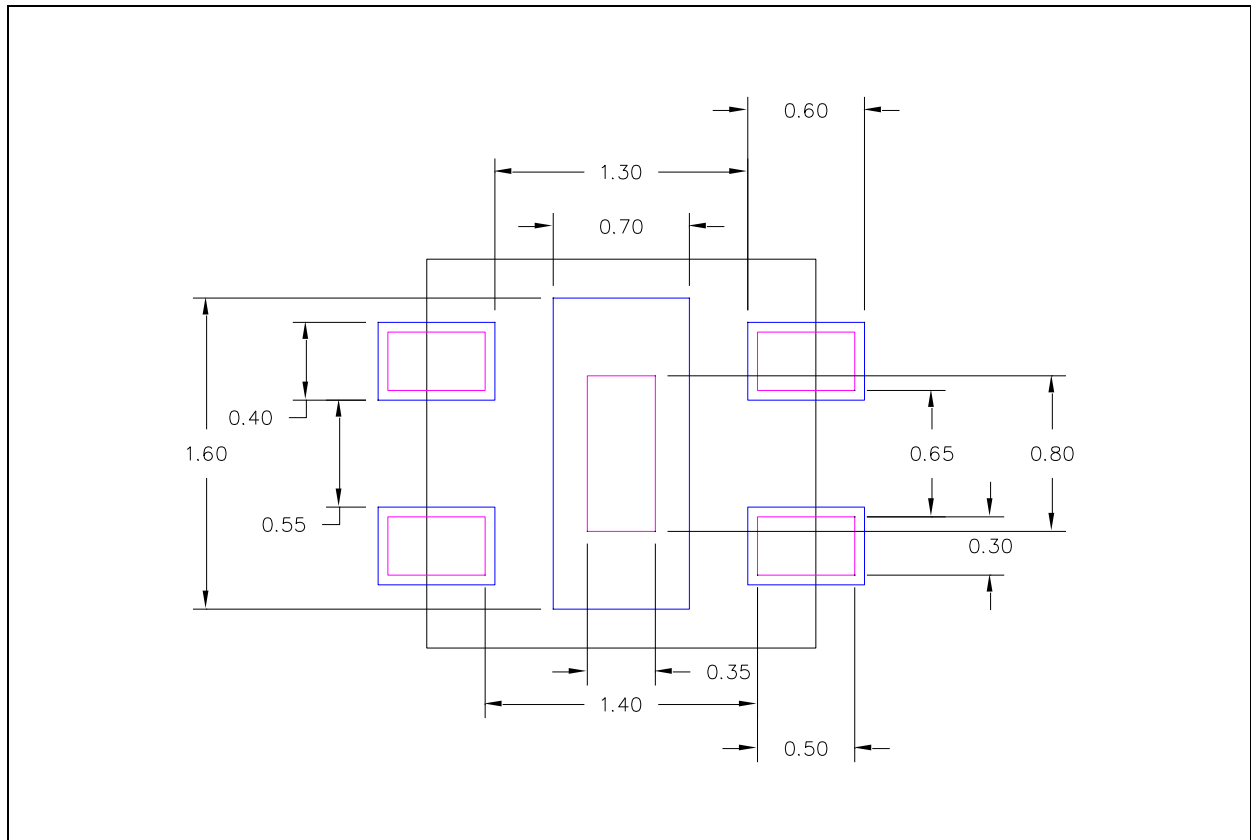
Figure 35:  
Soldering Recommendations Table

| Reflow Profile Settings           |                   |
|-----------------------------------|-------------------|
| $T_p$                             | 260°C             |
| $t_p$ (time within 5°C of $T_p$ ) | 20-40 seconds     |
| $T_L$                             | 217°C             |
| $t_L$                             | 60-150 seconds    |
| $T_{S_{max}}$                     | 200°C             |
| $T_{S_{min}}$                     | 150°C             |
| $t_s$ (preheat)                   | 60 to 180 seconds |
| $t_{25^\circ\text{C to Peak}}$    | 8 minutes max.    |
| ramp up                           | 3°C/second max.   |
| ramp down                         | 6°C/second max.   |

It is recommended to use a no-clean solder paste for soldering the sensor component on a PCB. There should not be any board wash process, to prevent the sensor area to get in contact with cleaning agents or other liquid materials.

The recommended ENS210 landing pattern can be found in the drawing below in blue. A 100µm thick stencil can be used and the stencil apertures are indicated in violet.

**Figure 36:**  
**Footprint Design**



**Note(s):**

- 1. All dimensions are in millimeters

## Storage and Handling

The ENS210 moisture sensitivity level is 1 (MSL1), which corresponds to an unlimited out-of-bag lifetime at T = 30°C; RH = 85%RH maximum.

Precautions should be taken to prevent electrostatic discharge (ESD) from damaging the sensor product.

All input and output pins are protected against electrostatic discharge (ESD) under normal handling. When handling ensure that the appropriate precautions are taken as described in JESD625-A or equivalent standards.

The pick-up nozzle of the pick and place machine must be positioned in such a way on the component that it fully covers the cavity of the package, to avoid the leakage of air. Because the ENS210 uses a cavity package, where the sensor is in direct contact with the environment, physical contact with sensor should be prevented at all times. If required, dust particles can be removed by gently blowing air inside the cavity of the package. Do not brush or wipe.

For proper operation of the product, exposure to Volatile Organic Compounds (VOCs) should be avoided or limited as much as possible. During manufacturing, transport and storage, VOCs may originate from out-gassing of glues, adhesive tapes and packaging materials such as bags and foams.

In operation, VOCs might naturally be present in the environment as vapors of, for example, ethanol, acetone and isopropyl alcohol. It is important to realize that some of these contaminants can cause offsets in the sensor reading that may not recover naturally. The same holds for atmospheric pollutants such as ammonia, nitric oxide and chlorine.

Offsets in the sensor reading due to exposure to contaminants may be reversed by applying the recommended Reconditioning Procedure (see below Reconditioning). Direct contact with liquid cleaning agents, or rubbing the surface with brushes or cotton-tip sticks, should be avoided at all times.

If needed, the sensor surface can be cleaned by gently blowing with oil-free compressed air or washing in de-ionized water might recover sensor readings.

The sensor is not damaged by water immersion or condensation. The sensor will recover completely when the water evaporates.

It is advised to avoid exposure to high intensity light for correct sensor readings.

This can be achieved by appropriate mechanical design or usage of a PTFE layer.

In addition it is advised to protect the device from direct exposure to sunlight or other sources of UV radiation.



## Reconditioning

The procedures indicated below accelerate the reconditioning of the sensor back to its calibrated state.

### ***After Soldering***

After soldering according to [Figure 34](#), RHS reading may show an offset of -2%RH compared to its calibrated value. This offset will slowly disappear if the device is exposed to normal ambient conditions (e.g. T = 25°C, RH = 45%RH, for a week). To accelerate return to its initial calibrated state, we recommend to expose devices to 25°C and 75%RH for 12 hours. This would reduce the time it has to recover at normal ambient conditions before usage.

### ***After Extreme Conditions***

If the device is exposed to conditions outside the “specified safe operating range” for long time, RH reading may show an offset compared to its calibrated value.

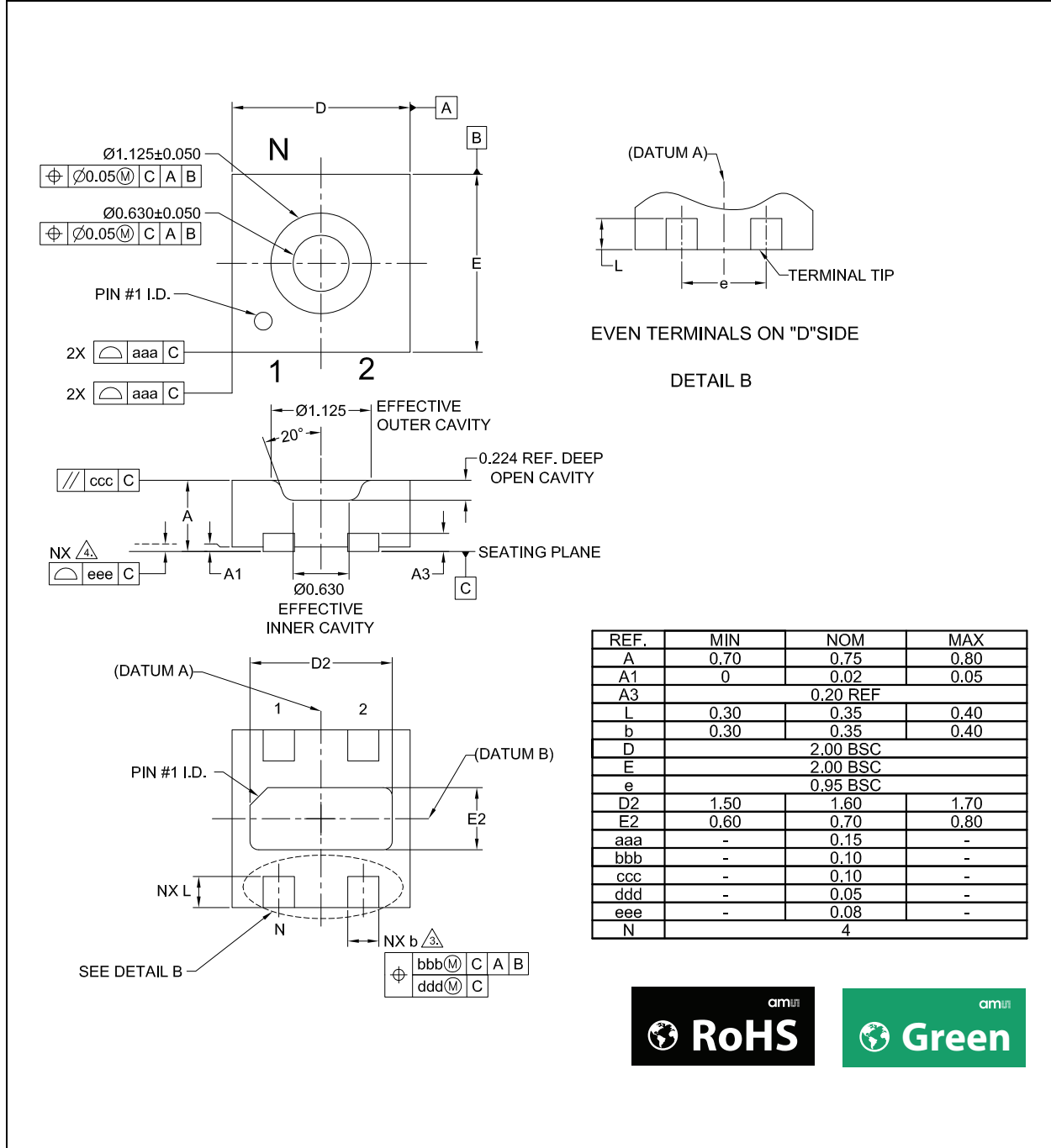
The following procedure accelerates the reconditioning of the sensor back to its calibrated state:

- A mild baking step at 105°C for 12 hours, to evaporate the contaminant.
- A hydration step at 25°C and 75%RH for 12 hours, to rehydrate the sensor material.
- A soak step at normal ambient conditions (e.g. 23°C ± 3°C, 35-55%RH) for 24 hours.

**Package Drawings & Markings**

The ENS210 has QFN4 package: plastic thermal enhanced very thin small outline package; no leads; 4 terminals; body 2.0 x 2.0 x 0.75mm, see Figure 37.

**Figure 37:**  
Package Outline



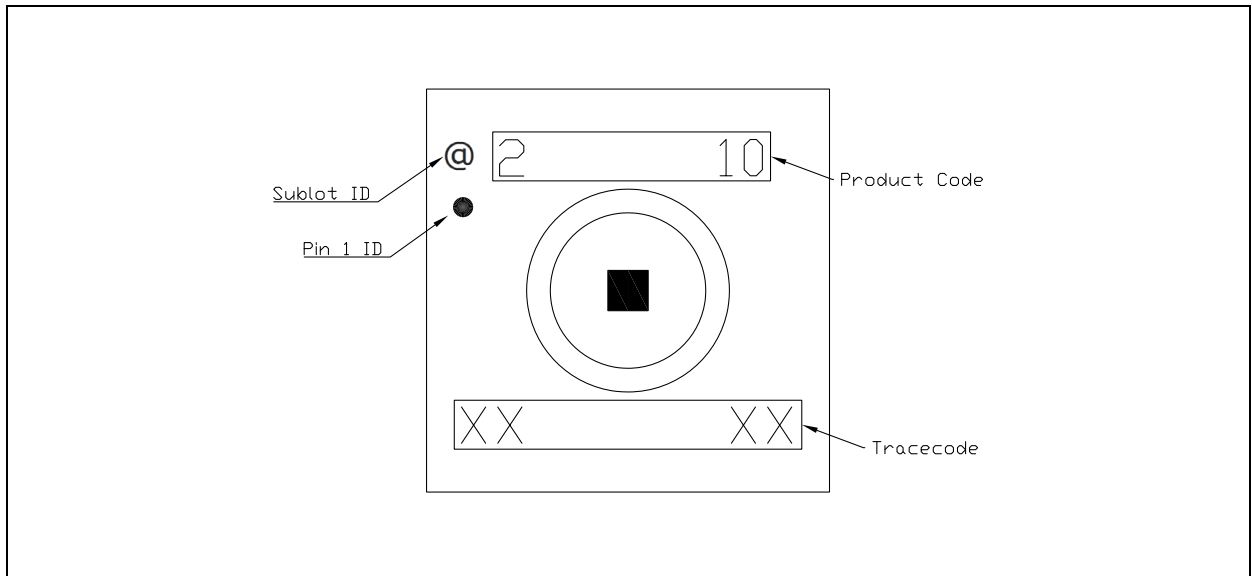
**Note(s):**

1. Dimensioning and tolerancing conform to ASME Y14.5M-1994.
2. All dimensions are in millimeters. Angles are in degrees.
3. Dimension b applies to metallized terminal and is measured between 0.15mm and 0.30mm from terminal tip.
4. Unilateral coplanarity applies to the exposed heat sink slug as well as the terminal.
5. N is the total number of terminals.



### Marking Information

**Figure 38:**  
**Marking of ENS210**



## Ordering & Contact Information

Figure 39:  
Ordering Information

| Ordering Code | Package | Marking | Description   | Delivery Form               | Delivery Quantity |
|---------------|---------|---------|---|-----------------------------|-------------------|
| ENS210-LQFM   | QFN4    | 210     | Plastic thermal enhanced very thin small outline package; no leads; 4 terminals; body 2.0 x 2.0 x 0.75 mm | 7" Tape & Reel in dry pack  | 3500 pcs/reel     |
| ENS210-LQFT   | QFN4    | 210     | Plastic thermal enhanced very thin small outline package; no leads; 4 terminals; body 2.0 x 2.0 x 0.75 mm | 13" Tape & Reel in dry pack | 12000 pcs/reel    |

Buy our products or get free samples online at:  
[www.ams.com/ICdirect](http://www.ams.com/ICdirect)

Technical Support is available at:  
[www.ams.com/Technical-Support](http://www.ams.com/Technical-Support)

Provide feedback about this document at:  
[www.ams.com/Document-Feedback](http://www.ams.com/Document-Feedback)

For further information and requests, e-mail us at:  
[ams\\_sales@ams.com](mailto:ams_sales@ams.com)

For sales offices, distributors and representatives, please visit:  
[www.ams.com/contact](http://www.ams.com/contact)

### Headquarters

ams AG  
Tobelbader Strasse 30  
8141 Premstaetten  
Austria, Europe

Tel: +43 (0) 3136 500 0

Website: [www.ams.com](http://www.ams.com)

## RoHS Compliant & ams Green Statement

**RoHS:** The term RoHS compliant means that ams AG products fully comply with current RoHS directives. Our semiconductor products do not contain any chemicals for all 6 substance categories, including the requirement that lead not exceed 0.1% by weight in homogeneous materials. Where designed to be soldered at high temperatures, RoHS compliant products are suitable for use in specified lead-free processes.

**ams Green (RoHS compliant and no Sb/Br):** ams Green defines that in addition to RoHS compliance, our products are free of Bromine (Br) and Antimony (Sb) based flame retardants (Br or Sb do not exceed 0.1% by weight in homogeneous material).

**Important Information:** The information provided in this statement represents ams AG knowledge and belief as of the date that it is provided. ams AG bases its knowledge and belief on information provided by third parties, and makes no representation or warranty as to the accuracy of such information. Efforts are underway to better integrate information from third parties. ams AG has taken and continues to take reasonable steps to provide representative and accurate information but may not have conducted destructive testing or chemical analysis on incoming materials and chemicals. ams AG and ams AG suppliers consider certain information to be proprietary, and thus CAS numbers and other limited information may not be available for release.

## Copyrights & Disclaimer

Copyright ams AG, Tobelbader Strasse 30, 8141 Premstaetten, Austria-Europe. Trademarks Registered. All rights reserved. The material herein may not be reproduced, adapted, merged, translated, stored, or used without the prior written consent of the copyright owner.

Devices sold by ams AG are covered by the warranty and patent indemnification provisions appearing in its General Terms of Trade. ams AG makes no warranty, express, statutory, implied, or by description regarding the information set forth herein. ams AG reserves the right to change specifications and prices at any time and without notice. Therefore, prior to designing this product into a system, it is necessary to check with ams AG for current information. This product is intended for use in commercial applications. Applications requiring extended temperature range, unusual environmental requirements, or high reliability applications, such as military, medical life-support or life-sustaining equipment are specifically not recommended without additional processing by ams AG for each application. This product is provided by ams AG "AS IS" and any express or implied warranties, including, but not limited to the implied warranties of merchantability and fitness for a particular purpose are disclaimed.

ams AG shall not be liable to recipient or any third party for any damages, including but not limited to personal injury, property damage, loss of profits, loss of use, interruption of business or indirect, special, incidental or consequential damages, of any kind, in connection with or arising out of the furnishing, performance or use of the technical data herein. No obligation or liability to recipient or any third party shall arise or flow out of ams AG rendering of technical or other services.

## Document Status

| Document Status          | Product Status  | Definition   |
|--------------------------|-----------------|--|
| Product Preview          | Pre-Development | Information in this datasheet is based on product ideas in the planning phase of development. All specifications are design goals without any warranty and are subject to change without notice  |
| Preliminary Datasheet    | Pre-Production  | Information in this datasheet is based on products in the design, validation or qualification phase of development. The performance and parameters shown in this document are preliminary without any warranty and are subject to change without notice            |
| Datasheet                | Production      | Information in this datasheet is based on products in ramp-up to full production or full production which conform to specifications in accordance with the terms of ams AG standard warranty as given in the General Terms of Trade                                |
| Datasheet (discontinued) | Discontinued    | Information in this datasheet is based on products which conform to specifications in accordance with the terms of ams AG standard warranty as given in the General Terms of Trade, but these products have been superseded and should not be used for new designs |

## Revision Information

| Changes from 0-39 (2016-Oct-20) to current revision 1-00 (2016-Oct-24) | Page |
|--|------|
| Initial production version for release                                 |      |

**Note(s):**

1. Page and figure numbers for the previous version may differ from page and figure numbers in the current revision.
2. Correction of typographical errors is not explicitly mentioned.



## Content Guide

|           |  |
|-----------|--|
| <b>1</b>  | <b>General Description</b>                 |
| 1         | Key Benefits and Features                  |
| 1         | Applications                               |
| 2         | Block Diagram                              |
| <b>3</b>  | <b>Pin Assignments</b>                     |
| <b>4</b>  | <b>Absolute Maximum Ratings</b>            |
| <b>5</b>  | <b>Electrical Characteristics</b>          |
| 6         | I <sup>2</sup> C Timing Characteristics    |
| 6         | Temperature Sensor Characteristics         |
| 7         | Relative Humidity Sensor Characteristics   |
| 8         | System Timing Characteristics              |
| <b>9</b>  | <b>Functional Description</b>              |
| 10        | Temperature Sensor                         |
| 11        | Relative Humidity Sensor                   |
| 12        | The I <sup>2</sup> C Interface             |
| 12        | I <sup>2</sup> C Operations on Registers   |
| 13        | The I <sup>2</sup> C Slave Address         |
| 14        | Sensor Control                             |
| 15        | Sensor Timing                              |
| 17        | The Sensor Readout Registers               |
| 18        | Computing CRC-7                            |
| 19        | Processing T_VAL and H_VAL                 |
| 21        | Reading PART_ID and UID                    |
| <b>22</b> | <b>Register Description</b>                |
| 22        | Register Overview                          |
| 23        | Detailed Register Description              |
| 23        | Register PART_ID (Address 0x00)            |
| 23        | Register UID (Address 0x04)                |
| 23        | Register SYS_CTRL (Address 0x10)           |
| 24        | Register SYS_STAT (Address 0x11)           |
| 24        | Register SENS_RUN (Address 0x21)           |
| 25        | Register SENS_START (Address 0x22)         |
| 25        | Register SENS_STOP (Address 0x23)          |
| 26        | Register SENS_STAT (Address 0x24)          |
| 26        | Register T_VAL (Address 0x30)              |
| 27        | Register H_VAL (Address 0x33)              |
| <b>28</b> | <b>Application Information</b>             |
| 28        | Typical Application                        |
| 29        | Recommended Operating Conditions           |
| <b>30</b> | <b>Soldering &amp; Storage Information</b> |
| 30        | Soldering                                  |
| 32        | Storage and Handling                       |
| 33        | Reconditioning                             |
| 33        | After Soldering                            |
| 33        | After Extreme Conditions                   |
| <b>34</b> | <b>Package Drawings &amp; Markings</b>     |
| 35        | Marking Information                        |

|           |   |
|-----------|---|
| <b>36</b> | <b>Ordering &amp; Contact Information</b>       |
| <b>37</b> | <b>RoHS Compliant &amp; ams Green Statement</b> |
| <b>38</b> | <b>Copyrights &amp; Disclaimer</b>              |
| <b>39</b> | <b>Document Status</b>                          |
| <b>40</b> | <b>Revision Information</b>                     |